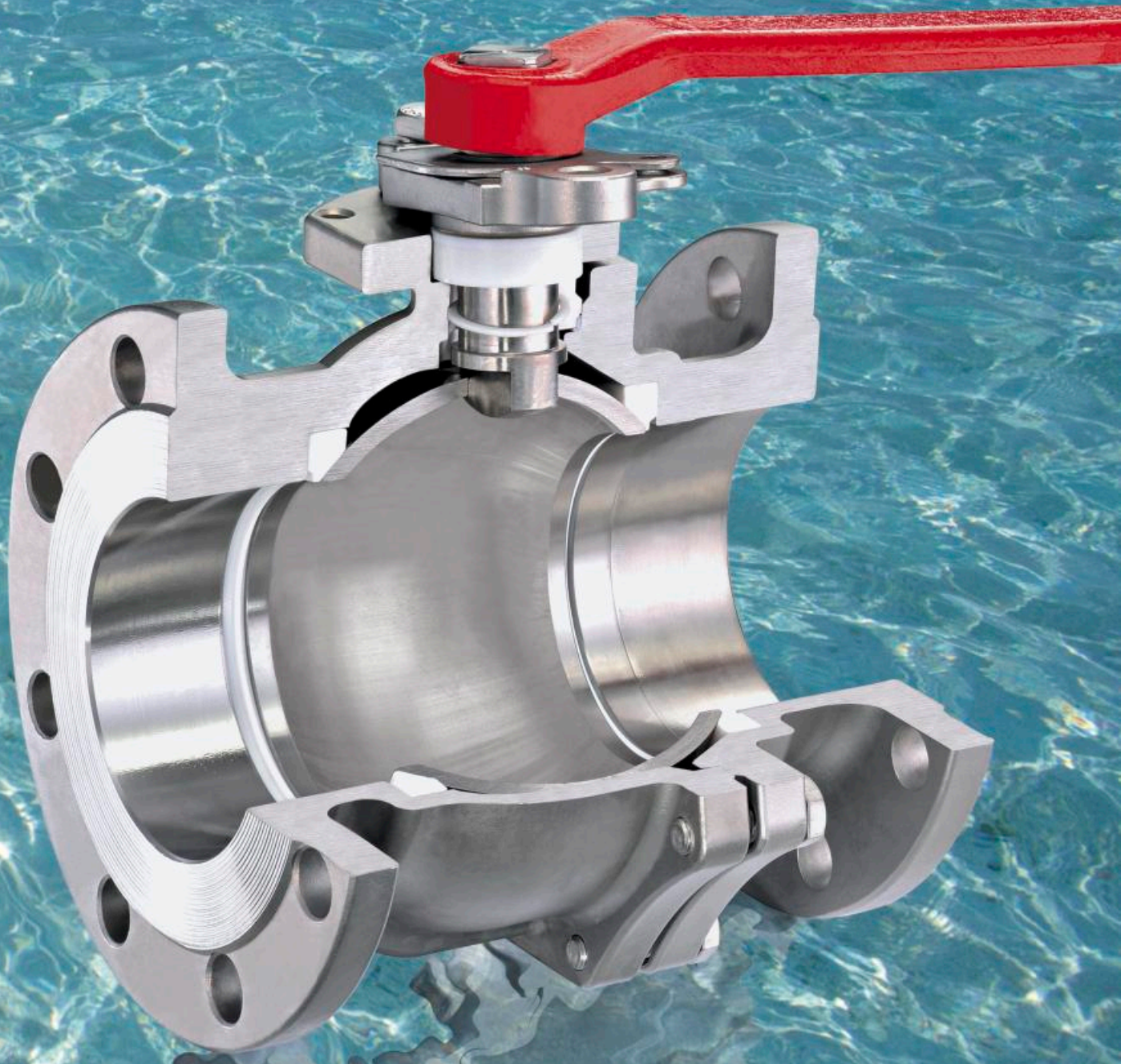


Well3all

Industrial Corp.



Manufacturer of Revolutionary Valves

Company Profile

Customers Faithful Partner

WellBall is a specialist distributor and manufacturer of valves, instrumentation and related flow control products, providing technical solutions and added value services through a worldwide network.

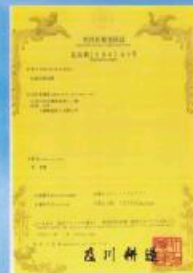
Corporate History


1996 - We built a team for valve ball research, development and application. First, we produced 2 steel plates welding assembling hollow ball.

1998 - We succeeded to use the hollow steel pipe forming in the valve ball application and solid ball manufacture. At the same time, we set up a company and started to the ball valve international trade business.

2001 - There was an additional investment in July 2001 on the capital with the amount of USD 1,350,000 and add up the total capital to USD 2,850,000.

The factory is located in Youth Lion Industrial Park in Tachia and its main business is to produce ball valves, stainless solid and hollow balls for ball valves and spare parts of ball valves.





2002 - Due to the rapid growing of the business, the factory was then relocated in the present location and with area contains 7,000 square meters. The production has therefore been expanded to increase the capacity.

2003 - August this year, received ISO 9001 approval certificate.

2004 - August, the equipments for making high quality ball valves were completed and the design of the production flow, allocation of the machines and the technology were provided and assisted by Industrial Technology Research Institute. And it was recognized by PED through Metal Industries Research & Development Center .

2009 - January, move to new plant in Central Taiwan Science Park Taichung.

About us Competition Vantage

Customer's Request

Work Flow :

Request --> Design --> Sample-Making --> Test --> Approval --> Pilot Run --> Mass Production

WellBall, will be able to offer the clients in the whole technical support & assistance (OEM/ODM) solutions, based on your valves requirement projects.

One -Stop Shop :

Design, Mock up, Pilot run, Mass production is under a unique system and provide solution to match up customer's needs.

Select Your Best Choice of ----- WellBall

Customers Faithful Partner



WellBall Industrial Corp.

A110 Series 1-PC Wafer Flanged End

Model	Pressure Rating
A111	PN16, PN40
Size Range	1/2" - 6 Full Port
Construction	Investment Casting
Material	CF8M/CF8/WCB
Mounting Pad	ISO 5211



A110

A200 Series 2-PC Flanged End

Model	Pressure Rating	Model	Pressure Rating
A201	150 LBS	A205	PN 10/16 F1
A202	300 LBS	A206	PN 10/16 F4
A203	JIS 10K	A207	PN 25/40 F1
A204	JIS 20K	A208	PN 25/40 F4
Size Range	1/2" - 4" Full Port		
Construction	Investment Casting		
Material	CF8M/CF8/WCB		
Mounting Pad	ISO 5211		



A200

A300 Series 3-PC Flanged End

Model	Pressure Rating
A305	PN 10/16 F1
A306	PN 10/16 F4
A307	PN 25/40 F1
A308	PN 25/40 F4
Size Range	1/2" - 4" Full Port
Construction	Investment Casting
Material	CF8M/CF8/WCB



A300



Flanged End

A320 Series

3-PC Flanged End With Direct Mounting Pad

Model	Pressure Rating
A325	PN 10/16 F1
A326	PN 10/16 F4
A327	PN 25/40 F1
A328	PN 25/40 F4
Size Range	1/2" - 4" Full Port
Construction	Investment Casting
Material	CF8M/CF8/WCB
Mounting Pad	ISO 5211



A320

A330 Series

Three-Way Flanged End With Mounting Pad

Model	Pressure Rating
A331	150 LBS
A332	300 LBS
A333	PN 10/16 F1
A335	PN 10/16 F4
Size Range	1/2" - 4" Full Port
Construction	Investment Casting
Material	CF8M/CF8/WCB
Port	L Port or T Port
Mounting Pad	ISO 5211



A330

Flanged End Ball Valve

WellBall Industrial Corp.

C100 Series

1-PC Thread End Ball Valve

Model	Description
C101	Ball Valve With Lever Handle
C102B	Hex. Ball Valve With Lever Handle
Size Range	1/4" - 2" Reduced Port 1000 PSI / 2000 PSI
Construction	C101 / Investment Casting C102B / Bar Stock, Investment Casting
Material	CF8M / CF8 / WCB SS316 / SS304 / Carbon Steel
Thread	BSP, NPT, DIN



C200 Series

2-PC Thread End Ball Valve

Model	Description
C201	Full Port 1000 PSI
C202	Full Port 1000 PSI
C204	Reduced Port 2000 PSI
Size Range	1/4" - 4"
Construction	Investment Casting
Material	CF8M / CF8 / WCB
Thread	BSP, NPT, DIN
Option	Oval Handle, Butterfly Handle



C204F Series

2-PC Spring Return Thread End Ball Valve

Model	Description
C204F	Full Port 2000 PSI
Size Range	1/4" - 4"
Construction	Investment Casting
Material	CF8M / CF8 / WCB
Thread	BSP, NPT, DIN



C204F

C270 Series

Three-Way Ball Valve

Model	Description
C271	T Port Thread End
C272	L Port Thread End
Size Range	1/4" - 2" Reduced Port 1000 PSI
Construction	Investment Casting
Material	CF8M / CF8 / WCB
Thread	BSP, NPT, DIN
Mounting Pad	ISO 5211



C271

Thread, Socket Weld, Butt Weld End

**Thread, Socket Weld,
Butt Weld End Ball Valve**

WellBall

Industrial Corp.

C300 Series

3-PC Ball Valve

Model	Description
C301	Thread End
C302	Butt Weld End
C303	Socket Weld End
C304	Extended Butt Weld End
Size Range	1/4" - 4" Full Port 1000 PSI
Construction	Investment Casting
Material	CF8M / CF8 / WCB
Thread	BSP, NPT, DIN



C300
(M3 Available)

C310 Series

3-PC Ball Valve With Mounting Pad

Model	Description
C311	Thread End
C312	Butt Weld End
C313	Socket Weld End
C314	Extended Butt Weld End
Size Range	1/4" - 4" Full Port 1000 PSI
Construction	Investment Casting
Material	CF8M / CF8 / WCB
Thread	BSP, NPT, DIN
Mounting Pad	ISO 5211



C310
(M3 Available)

C320 Series

3-PC Direct Mount Ball Valve

Model	Description
C321	Thread End
C322	Butt Weld End
C323	Socket Weld End
C324	Extended Butt Weld End
Size Range	1/4" - 4" Full Port 1000 PSI
Construction	Investment Casting
Material	CF8M / CF8 / WCB
Thread	BSP, NPT, DIN
Mounting Pad	ISO 5211



C320

C340 Series

3-PC Heavy Duty Direct Mount Ball Valve

Model	Description
C341	Thread End
C342	Butt Weld End
C343	Socket Weld End
Size Range	1/4" - 2" Full Port 2000 PSI
	2-1/2" - 4" Full Port 1500 PSI
Construction	Investment Casting
Material	CF8M / CF8 / WCB
Thread	BSP, NPT, DIN
Mounting Pad	ISO 5211



C340

C350 Series

3-PC Sanitary Ball Valve For Food and General Chemical Service

Model	Description
C351	T-Clamp End
C352	Butt Weld End
Size Range	1/2" - 4" Full Port 1000 PSI
Construction	Investment Casting
Material	CF8M / CF8 / WCB
Mounting Pad	ISO 5211



C351



C352

Thread, Socket Weld, Butt Weld End

**Thread, Socket Weld,
Butt Weld End Ball Valve**

WellBall Industrial Corp.

Model	E101
Description	Globe Valve
End Type	BSP, NPT, DIN
Pressure Rating	200 LBS
Size Range	1/4" ~ 2"
Construction	Investment Casting
Body Material	CF8M



E101

Model	E102
Description	Gate Valve
End Type	BSP, NPT, DIN
Pressure Rating	200 LBS
Size Range	1/2" ~ 2"
Construction	Investment Casting
Body Material	CF8M



E102

Model	E103
Description	Swing Check Valve
End Type	BSP, NPT, DIN
Pressure Rating	200 LBS
Size Range	1/2" ~ 3"
Construction	Investment Casting
Body Material	CF8M



E103

Model	E104
Description	Wafer Check Valve
End Type	DIN PN 10 / 40
Size Range	1/2" ~ 4"
Construction	Investment Casting
Body Material	CF8M



E104

Model	E105
Description	Y-Type Spring Check Valve
End Type	BSP, NPT, DIN
Pressure Rating	800 PSI
Size Range	1/4" ~ 2"
Construction	Investment Casting
Body Material	CF8M



E105

Model	E106
Description	3-PC Spring Loaded Check Valve
End Type	BSP, NPT, DIN
Pressure Rating	1000 PSI
Size Range	1/4" ~ 4"
Construction	Investment Casting
Body Material	CF8M



E106



Model	E107
Description	Y-Type Globe Valve
End Type	BSP, NPT, DIN
Pressure Rating	800 PSI
Size Range	1/2" ~ 2"
Construction	Investment Casting
Body Material	CF8M



E107

Model	E108
Description	Y - Strainer
End Type	BSP, NPT, DIN
Pressure Rating	800 PSI
Size Range	1/2" ~ 2"
Construction	Investment Casting
Body Material	CF8M



E108

Model	E109
Description	Y - Strainer
End Type	Flanged End
Pressure Rating	150 LBS, 300 LBS PN16, PN 40
Size Range	1/2" ~ 12"
Construction	Sand Casting
Body Material	CF8M



E109

Model	E110
Description	Needle Valve
End Type	BSP, NPT, DIN
Pressure Rating	6000 PSI
Size Range	1/8" ~ 2"
Construction	Investment Casting Bar Stock
Body Material	CF8M



E110

Model	E110T
Description	Needle Valve
End Type	BSP, NPT, DIN
Pressure Rating	10000 PSI
Size Range	1/8" ~ 2"
Construction	Investment Casting Bar Stock
Body Material	CF8M



E110T

Industrial Valve

WellBall Industrial Corp.

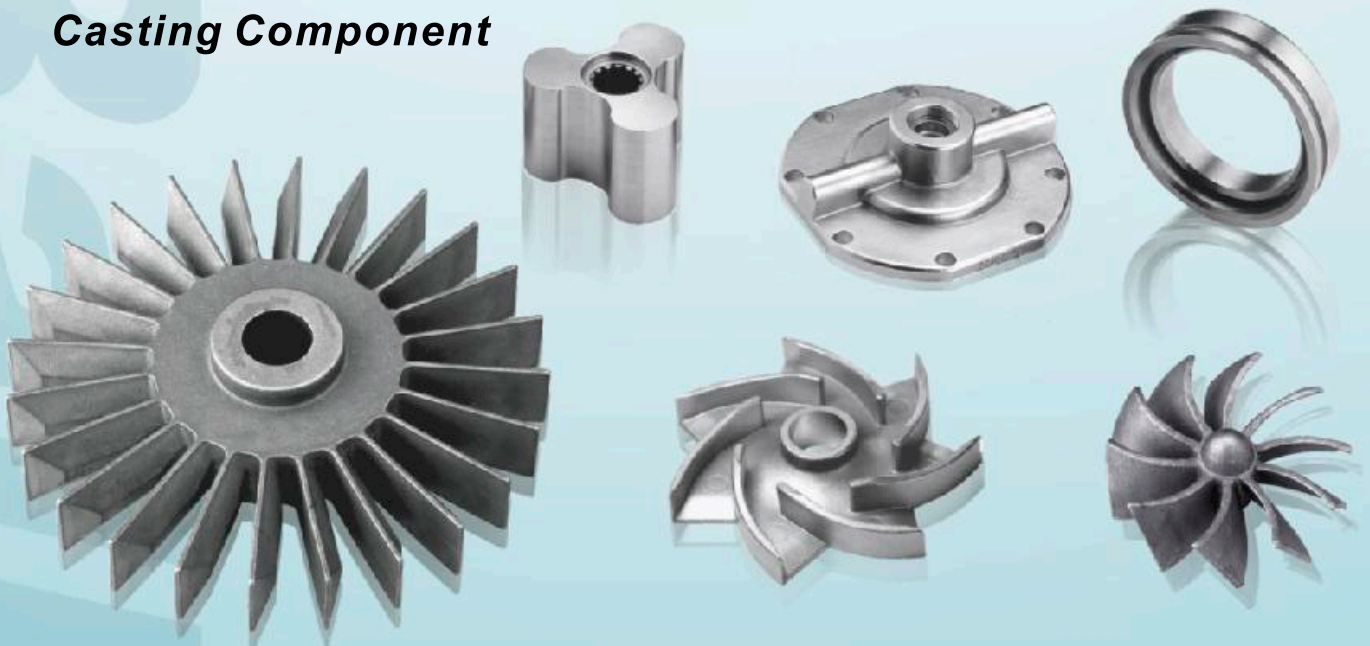
Handle



Flange



Casting Component





In addition to standard types of valve, *WellBall* can meet your requirements to supply you special valve and your OEM is welcome. Our high-quality and cost-effective products make *WellBall* successfully penetrate into global markets.

Valve Accessories

WellBall Industrial Corp.

WellBall supply a wide variety of valves, Ball, Gate, Check, Globe, Y-Strainer, Needle, Sanitary Valve and more... For Ball Valve in order to solve problems of traditional solid valve ball, **WellBall** developed and accomplished the idea and production of stainless steel Hollow Ball since May of 1996. Hollow Ball has the unique forming process and requires high technical supports

Hollow Ball

Advantages of Hollow Ball

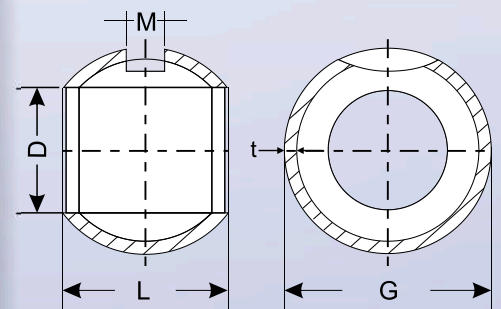
1. Quality guaranteed - 100% no leaks, cracks and holes
2. Unbeatable lightness - 50% ~ 70% lighter than Solid Balls
3. Stable materials - Better resistivity to Acid & Alkali
4. Torque reduced by 20% ~ 40% - less malfunctions and breakdowns of actuators in longtime operation

Mode	Description
HC	Tubular Conduit
Size Range	Over 3/4"
Material	SUS 304, SUS 316



Hollow Ball

Item No.	Dia. Size	G ± 0.1	D ± 0.1	L ± 0.1	t ± 0.1	M ± 0.1	Roundness
HC 99020	3/4"	34	20	26.1	2.0	6	0.05
HC 99025	1"	40	24	30.5	2.0	6	0.05
HC 99032	1-1/4"	52	31	39.8	2.5	8	0.05
HC 99040	1-1/2"	64	39	48.8	2.5	8	0.05
HC 99050	2"	80	50	60.1	2.5	10	0.05
HC 99065	2-1/2"	102	63	78	3.5	12	0.05
HC 99080	3"	125	78	95	4.0	12	0.05
HC 99100	4"	154	98	116	5.0	12	0.08
HC 99125	5"	192	122	144.8	6.0	18	0.08
HC 99150	6"	230	150	171	6.0	20	0.08
HC 99200	8"	300	200	220	8.0	20	0.10
HC 99250	10"	370	250	270	10.0	30	0.10



Spherical Ball

Mode	Description
	Special Designed Ball
Size Range	All Size
Material	SUS 304, SUS 316, CF8M, CF8, 1.4301, 1.4408 ... etc. By forged casting, Investment casting and centrifugal casting.



Option of Ball

Solid Ball

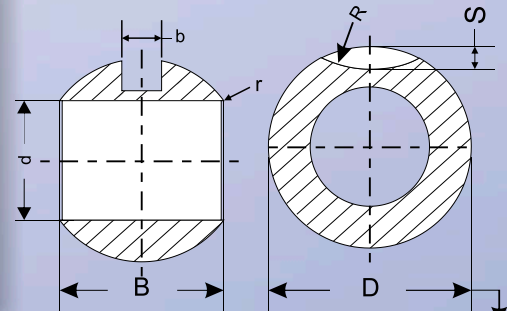
Mode	Description
SA	Casting Solid Ball
Size Range	All Size (1/2" ~ 16")
Material	SUS 304, SUS 316, CF8M, CF8, Brass, 1.4301, 1.4408 ... etc. By forged casting, Investment casting and centrifugal casting.



Spherical Ball

Solid Ball

Item No.	Nominal	Dia. Size	D	B	b	s	d	R	r
SA 98012	1/2"	12	25.5	19.3	5	4	15	12.5	0.8
SA 98020	3/4"	20	34	26	5	5.5	20	17	0.8
SA 98025	1"	35	42.5	32.8	8	6	25	25	0.8
SA 98032	1-1/4"	32	54	41.8	9.6	8	31.8	25	0.9
SA 98040	1-1/2"	40	62	47	9.6	9	38.1	25	0.9
SA 98050	2"	50	80	60	10	10	50	37.5	1.0
SA 98065	2-1/2"	64	103	78.8	12	12	64	37.5	1.0
SA 98080	3"	80	125	95	12	12	78	37.5	1.3
SA 98100	4"	100	154	115	14	12	100	37.5	1.5
SA 98125	5"	125	195	149	20	18	123	50	1.7
SA 98150	6"	150	230	173/170	20	18	148/150	50	1.7
SA 98200	8"	200	300	222	20	22	200	62.5	2.0
SA 98250	10"	250	370	269	35	30	250	75	2.3



0.05

According as customer's request and size for all kinds Ball , OEM / ODM are acceptable.

Option of Ball

WellBall

Industrial Corp.

宥全精密工業股份有限公司

台中縣 大雅鄉 科雅東路 50 號(國科會中部科學園區)

Tel : 04-25658599

Fax : 04-25658790

Website : www.wellball.com.tw

E-mail : sales@wellball.com.tw

WellBall Industrial Corp.

Central Taiwan Science Park, No. 50, Keya E. Rd.

Taichung County, 428, Taiwan, R. O. C.

Tel : 886-4-25658599

Fax : 886-4-25658790

Website : www.wellball.com.tw

E-mail : sales@wellball.com.tw